

— 1 —

SMART INSPECTION CABINET SCENT

Professional K9 Scent Detection Equipment



About FITD Trading Co. L.L.C

FITD Trading Co. L.L.C is a specialist supplier of professional K9 training and scent detection equipment, serving law enforcement agencies, military units, border security forces, customs authorities, and professional dog training academies across the region. Our product range is engineered to the highest operational standards, combining durability, precision, and ease of use in demanding field environments.

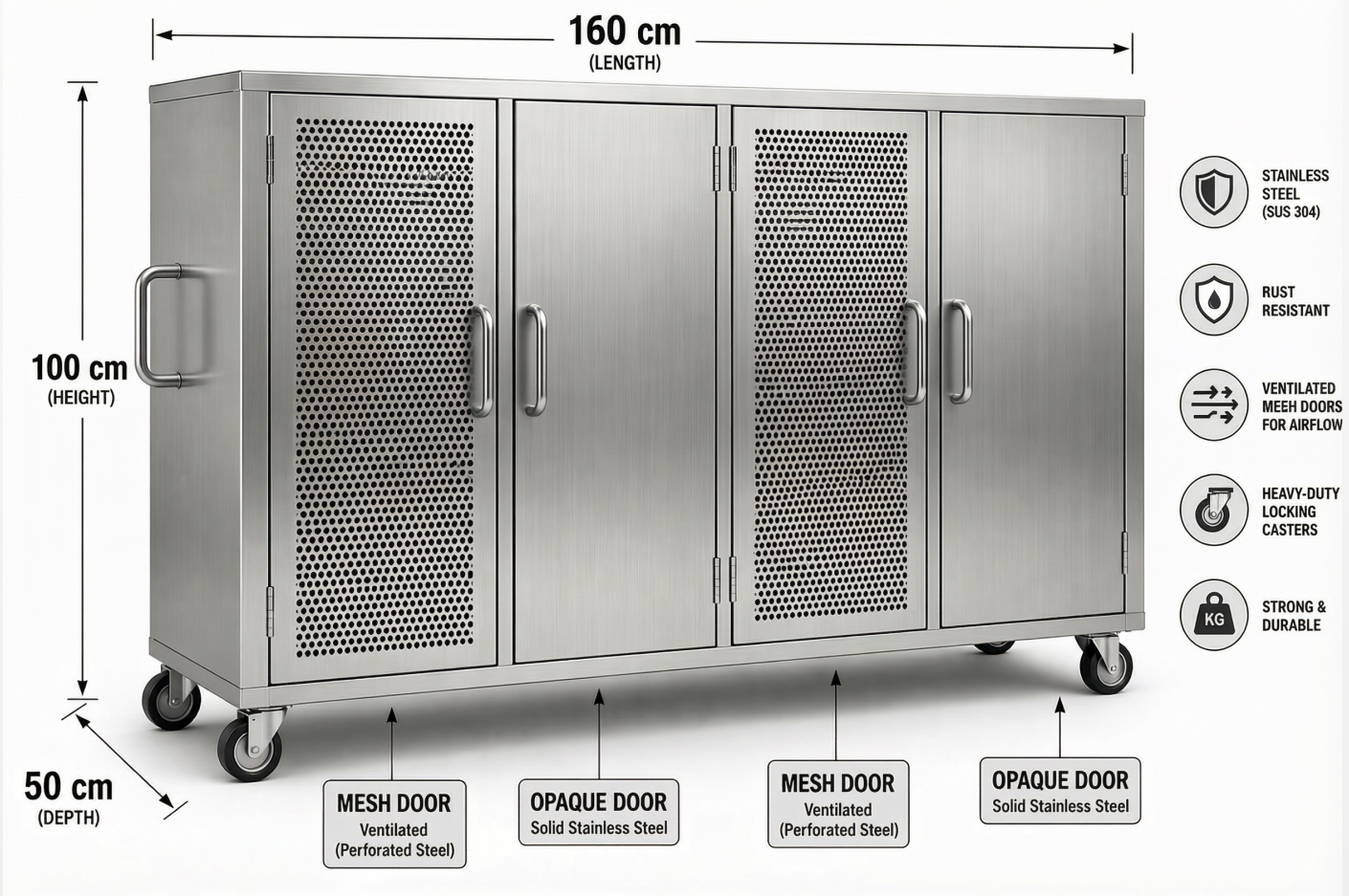
Our scent cabinet collection represents the most comprehensive range of purpose-built K9 scent storage and training solutions available. Every unit is manufactured from high-grade 304 stainless steel, fitted with heavy-duty locking casters for mobility, and designed to maintain scent integrity across extended training programmes. From compact 9-drawer field workstations to 140-compartment scent libraries, FITD cabinets are trusted by handlers who demand the best.

Material	304 Grade Stainless Steel throughout all models
Mobility	Heavy-duty locking caster wheels on every unit
Handling	Ergonomic side push-handles on all models
Finish	Brushed stainless steel — corrosion & odour resistant
Purpose	K9 scent detection training & evidence storage
Range	8 models from compact 9-drawer to 140-compartment locker

MODEL: FITD-SC-SS150

Stainless Steel Scent Cabinet

4-Door Perforated Ventilation Cabinet



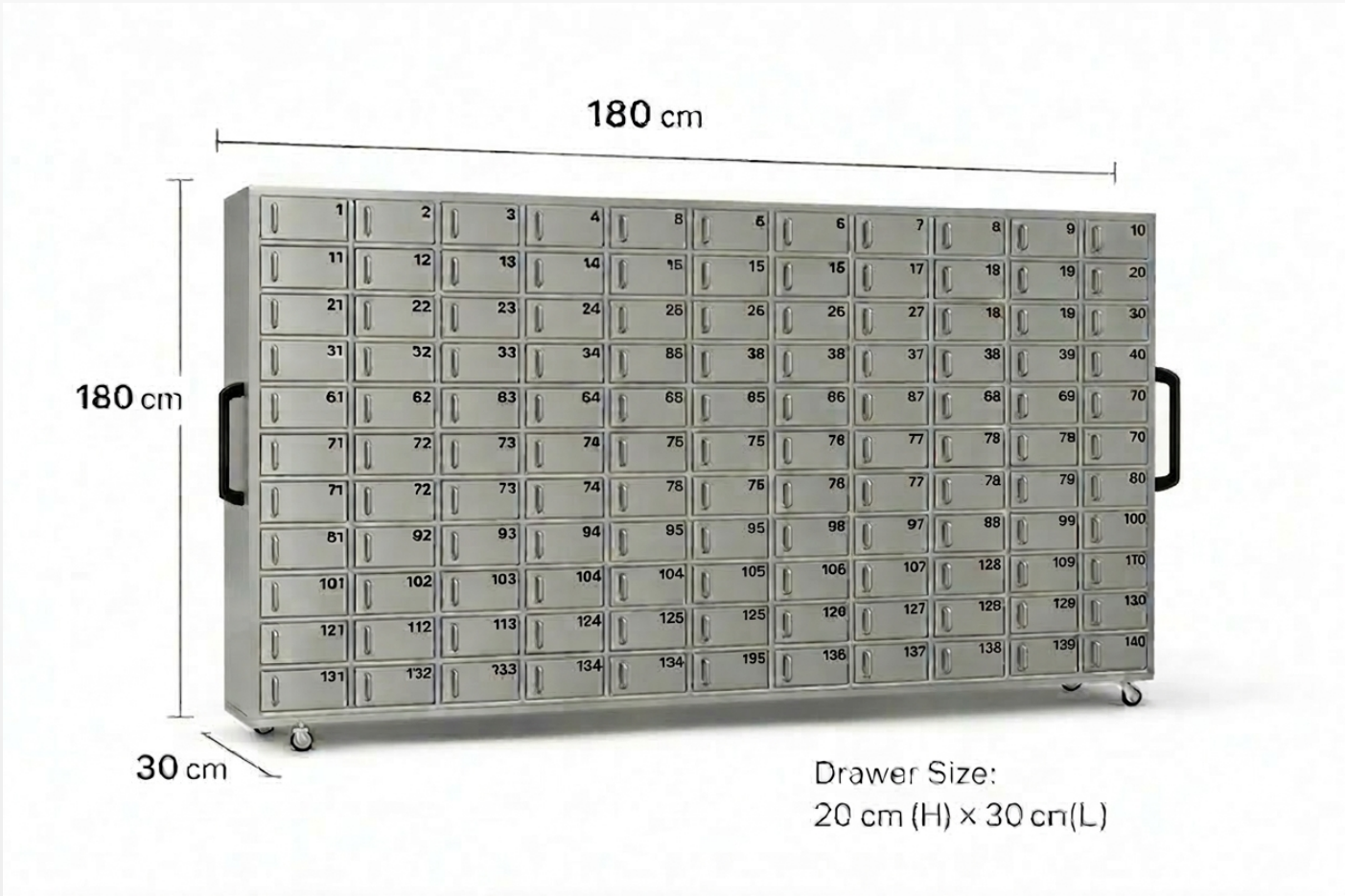
<p>DIMENSIONS 160 x 100 x 50 cm</p>	<p>MATERIAL 304 Stainless Steel</p>	<p>DOORS / DRAWERS 4 (2 mesh + 2 opaque solid)</p>
<p>MOBILITY Heavy-duty locking casters</p>	<p>CAPACITY 4 bays with ventilated mesh & solid doors</p>	<p>PRIMARY USE Scent imprinting, odour exposure training, secure storage</p>

- Ventilated mesh doors for airflow
- Opaque solid stainless steel doors
- Side push-handles
- Heavy-duty locking casters
- Rust-resistant SUS 304 stainless steel
- Strong & durable construction

MODEL: FITD-SC-140D

140-Drawer Scent Locker Cabinet

High-Capacity Individual Scent Sample Locker



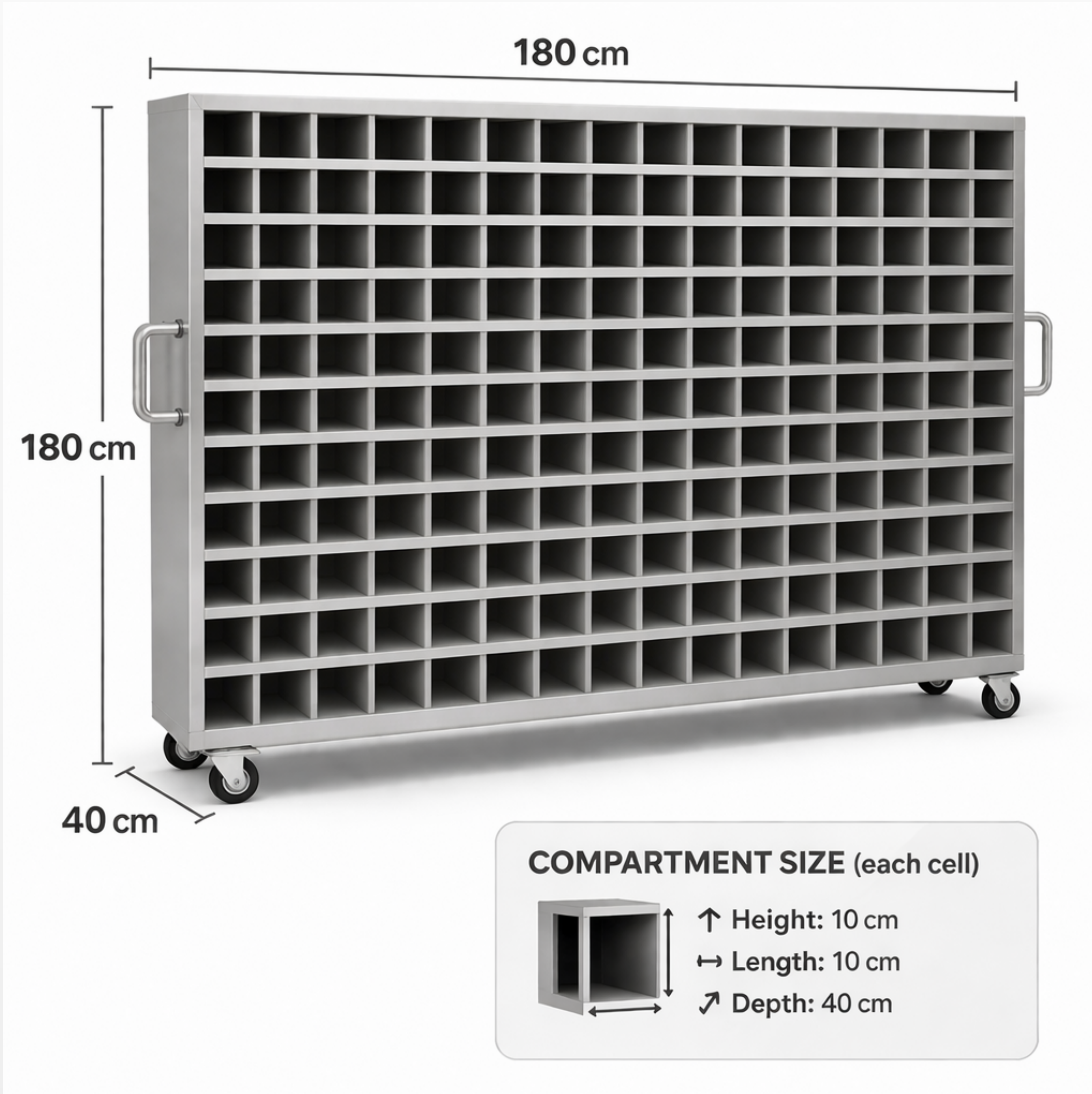
<p>DIMENSIONS 180 x 180 x 30 cm</p>	<p>MATERIAL Stainless Steel</p>	<p>DOORS / DRAWERS 140 individually numbered mini-drawers</p>
<p>MOBILITY Heavy-duty locking casters + side handles</p>	<p>CAPACITY 140 drawers — 20 cm (H) x 30 cm (L)</p>	<p>PRIMARY USE Large-scale scent library, multi-dog training</p>

- 140 numbered, individually accessible drawers
- Compact 30 cm depth
- Side push-handles
- Locking caster wheels
- Stainless steel construction

MODEL: FITD-SC-OC180

Open-Cell Scent Rack Cabinet

High-Density Open Compartment Scent Storage



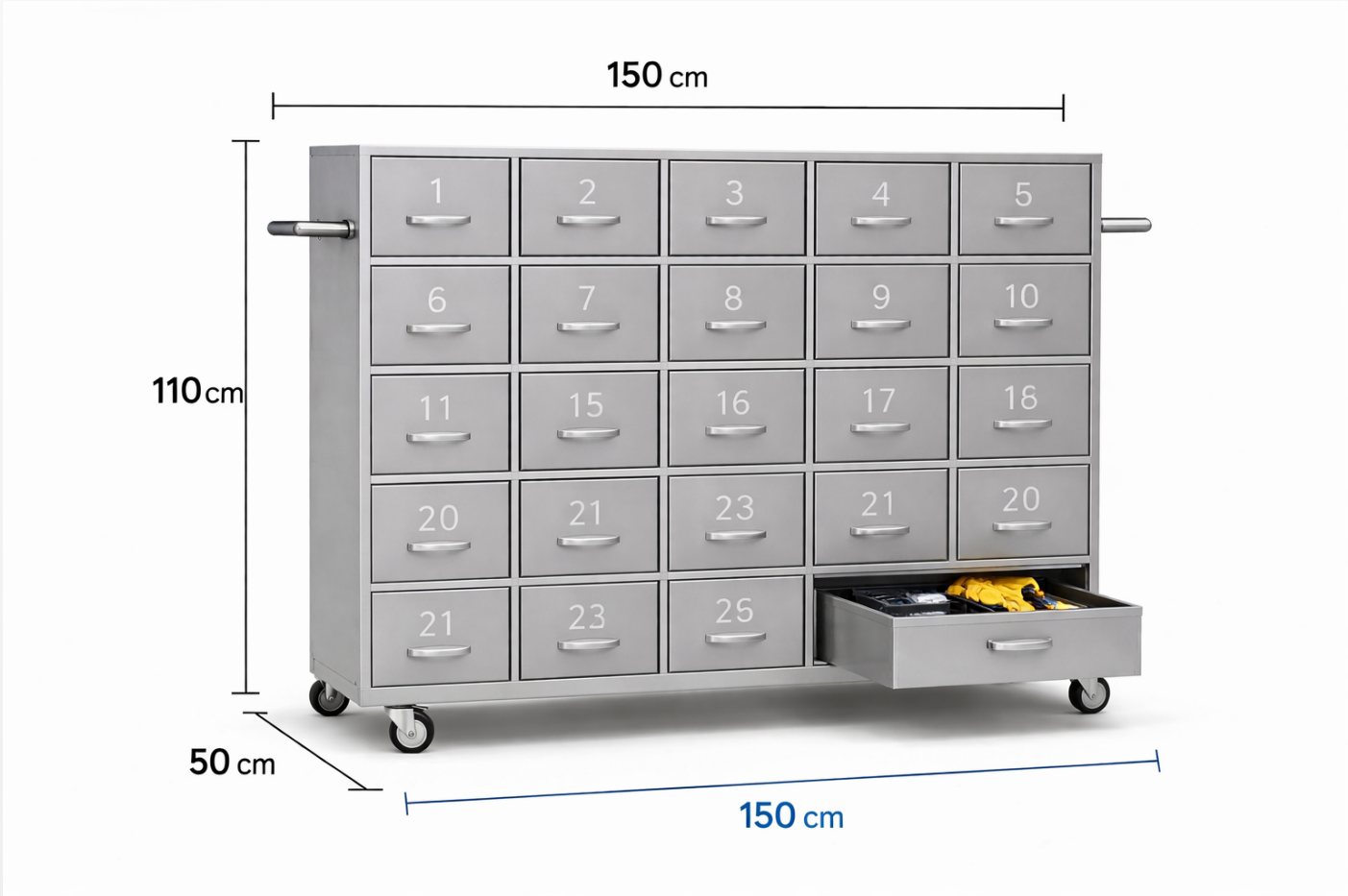
<p>DIMENSIONS 180 x 180 x 40 cm</p>	<p>MATERIAL Stainless Steel</p>	<p>DOORS / DRAWERS Open-face cells (no doors)</p>
<p>MOBILITY Heavy-duty locking casters + side handles</p>	<p>CAPACITY Each cell: 10 cm (H) x 10 cm (L) x 40 cm (D)</p>	<p>PRIMARY USE High-volume scent article storage, rapid-access training</p>

- Open-face cells for instant scent access
- Uniform 10 x 10 cm cell grid
- 40 cm deep cells
- Side push-handles
- Locking caster wheels

MODEL: FITD-SC-25D

25-Drawer Training Cabinet

Mid-Size Numbered Drawer Scent Cabinet



<p>DIMENSIONS 150 x 110 x 50 cm</p>	<p>MATERIAL Stainless Steel</p>	<p>DOORS / DRAWERS 25 numbered pull-out drawers</p>
<p>MOBILITY Heavy-duty locking casters + side handles</p>	<p>CAPACITY 25 large drawers — 5 columns x 5 rows</p>	<p>PRIMARY USE Scent discrimination training, evidence storage</p>

- 25 individually numbered drawers
- Large drawer format for bulky articles
- Bottom drawer with open access
- Side push-handles
- Locking caster wheels

MODEL: FITD-SC-9D

9-Drawer Compact Training Cabinet

Compact 3x3 Drawer Scent Workstation



<p>DIMENSIONS 120 x 90 x 50 cm</p>	<p>MATERIAL 304 Stainless Steel</p>	<p>DOORS / DRAWERS 9 pull-out drawers (3 columns x 3 rows)</p>
<p>MOBILITY Heavy-duty locking casters + side handles</p>	<p>CAPACITY 9 large-format drawers with flat worktop</p>	<p>PRIMARY USE Field training, mobile scent workstation</p>

- 9 large-format pull-out drawers
- Flat stainless-steel worktop surface
- Side push-handles
- Locking caster wheels
- FITD branded

MODEL: FITD-SC-COMBO150

Combo Door & Drawer Cabinet

Mixed Storage: Solid Doors + Drawers + Wire Shelves



<p>DIMENSIONS 150 x 100 x 50 cm</p>	<p>MATERIAL 304 Stainless Steel</p>	<p>DOORS / DRAWERS 2 solid swing doors + 3 central pull-out drawers</p>
<p>MOBILITY Heavy-duty locking casters + side handles</p>	<p>CAPACITY 2 door bays with wire shelves + 3 drawers</p>	<p>PRIMARY USE Versatile scent storage, equipment & consumables</p>

- Left/right solid door bays with wire shelving
- 3 central pull-out drawers
- Flat stainless-steel worktop
- Side push-handles + locking casters

MODEL: FITD-SC-2D180

Dual-Door Tall Shelf Cabinet

2-Section Tall Cabinet with Internal Shelving



<p>DIMENSIONS 100 x 180 x 50 cm</p>	<p>MATERIAL 304 Stainless Steel</p>	<p>DOORS / DRAWERS 2 solid swing doors (numbered 01 & 02)</p>
<p>MOBILITY Heavy-duty locking casters + side handles</p>	<p>CAPACITY 2 independent bays, each with 6 internal shelves</p>	<p>PRIMARY USE Tall scent article storage, secure evidence locker</p>

- 2 independently lockable door sections
- 6 adjustable internal shelves per bay
- Full-height 180 cm design
- Side push-handles
- Locking caster wheels

MODEL: FITD-SC-HYBRID180

Hybrid Open-Cell & Drawer Cabinet

Mixed Open Cells, Drawers & Mini-Doors



<p>DIMENSIONS 180 x 150 x 50 cm</p>	<p>MATERIAL 304 Stainless Steel</p>	<p>DOORS / DRAWERS Mix of open cells, pull-out drawers, mini swing doors</p>
<p>MOBILITY Heavy-duty locking casters + side handles</p>	<p>CAPACITY Multiple open cells + drawers + door compartments</p>	<p>PRIMARY USE Advanced multi-odour training, complex scent discrimination</p>

- Combination of open cells, drawers, and mini doors
- Flexible configuration for varied training
- Side push-handles
- Locking caster wheels
- 304 stainless steel construction

Product Comparison Table

Model	Dimensions (WxHxD)	Drawers / Doors	Capacity	Mobility
FITD-SC-SS150	160x100x50 cm	4 doors	4 bays (2 mesh + 2 opaque)	Casters + handles
FITD-SC-140D	180x180x30 cm	140 drawers	140 x (20x30 cm) drawers	Casters + handles
FITD-SC-OC180	180x180x40 cm	Open cells	Cells: 10x10x40 cm each	Casters + handles
FITD-SC-25D	150x110x50 cm	25 drawers	5 cols x 5 rows	Casters + handles
FITD-SC-9D	120x90x50 cm	9 drawers	3 cols x 3 rows + worktop	Casters + handles
FITD-SC-COMBO150	150x100x50 cm	2 doors + 3 drw	2 bays + 3 drawers	Casters + handles
FITD-SC-2D180	100x180x50 cm	2 doors	2 bays x 6 shelves each	Casters + handles
FITD-SC-HYBRID180	180x150x50 cm	Mixed	Open cells + drawers + doors	Casters + handles

*All specifications are subject to change without notice.
 Custom dimensions and configurations available on request.
 Contact FITD Trading Co. L.L.C for pricing and availability.*